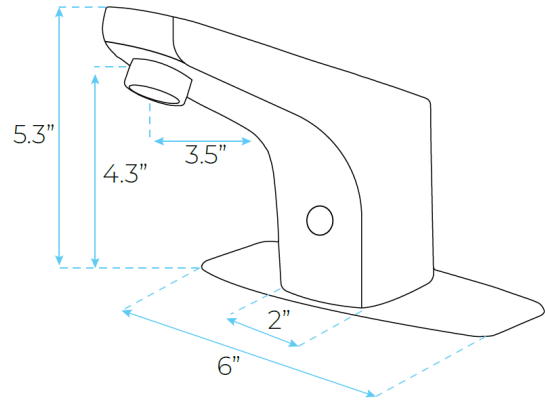


FONTANA ATLANTA OIL RUBBED BRONZE DECK MOUNT AUTOMATIC SENSOR TOUCHLESS BATHROOM FAUCET SPECS



SPECS:

Power: DC:6V(4AA alkaline battery)

AC:220V-240V; 50/60HZ

Water Consumption: 0.05Mpa-0.6Mpa

Detection Zone: 17 cm or adjustable

Motor valve lifespan: up to 500000
flushes

Battery lifespan: 100000 cycles

Static Power Consumption: 0.36mw

Working Power consumption: 0.5mw

Inductive Opening Time: < 1 second

Inductive Closing Time: < 2 second

Dia.of inlet / outlet pipe: G1/2"

Suitable water pressure : 0.1-0.6 MPa

Temperature: 0.1-50°C

Flow Rate : 1.8 GPM

Dia of inlet pipe : G1/2"(DN15)

